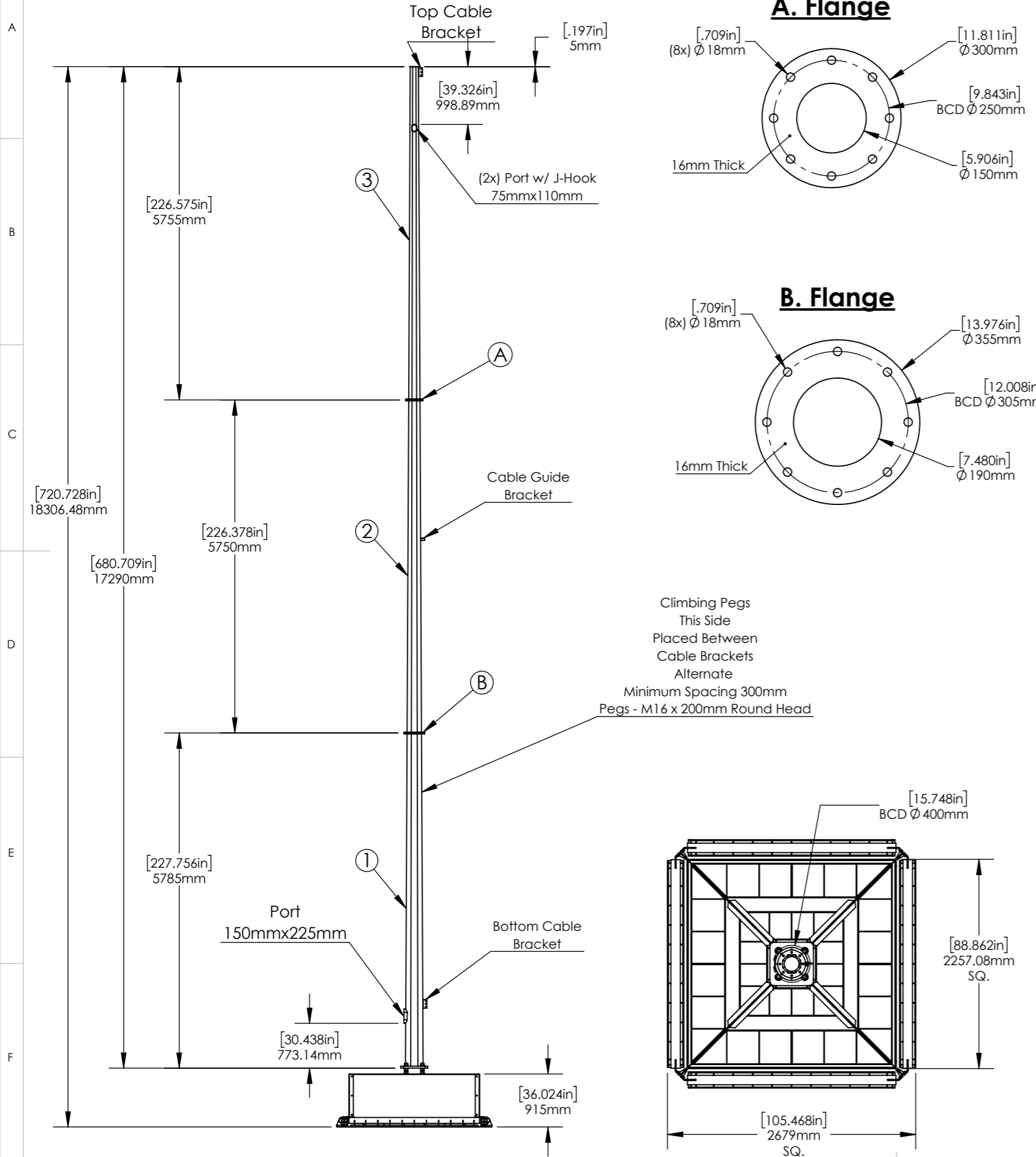


Proprietary rights are included in the information disclosed herein. This information is submitted in confidence and neither the document nor the information disclosed herein shall be reproduced or transferred to other documents for manufacturing or for any other purpose except as specifically authorized in writing by ARE Telecom & Wind.

REVISIONS			
REV.	DESCRIPTION	DATE	APPROVED
A5	initial release	7/25/20	MGC
B			



- Survival Wind Speed: 90 MPH (40.2 m/s) (3 sec gust)
 - Structure Class - II
 - Topographic - 1 (Crest Height - NA)
 - Exposure - C
- Design and Welding Codes:
 - TIA-222-G
 - AWS D1.1
- Deflection: <1% at 60 MPH (26.8 m/s)
- Material (or Equivalent)
 - Pole: ASTM A572 GR65
 - Baseplate: ASTM A572 GR50
 - Top/ Hinge Flange: ASTM A572 GR50
- Anchor Bolts: (4X) M36x4 x 1000mm - GR 8.8
 - (3x) Nut (4x) Washer
 - Optional (1 1/2-6 x 39in Grade ASTM F1554 G55)
 - Hot Dip Galv. per ASTM F2329
- Flange Bolts: (16X) M16x2 x 60mm - GR 8.8
 - (1X) Nut (2X) Washer
 - Optional (5/8-11 x 2.5in GR A325)
 - Hot Dip Galv. per ASTM F2329
- Pole has 8 sides
- Finish: Hot dip Galvanizing per ASTM A123
- Pole Section Details

Pole Section	#1	#2	#3
Thickness - (in)/ (mm)	0.197/ 5	0.197/ 5	0.197/ 5
Length - (in)/ (m)	227.75/ 5.785	226.37/ 5.75	226.57/ 5.755
Top Dia. - (in)/ (mm)	9.84/ 250	7.67/ 194.8	5.5/ 140
Bottom Dia. - (in)/ (mm)	12/ 305	9.83/ 249.7	7.67/ 194.5
Min Slip - (in)/ (mm)		NA	NA
Section Weight (lb)/ (kg)	288.2/ 131	393.8/ 179	589.6/ 268

CAD-generated drawing do not manually update

ARE Telecom & Wind
1043 Grand Avenue, # 213
St. Paul, MN 55105 (651) 330-1263

Total Weight Pole-1272 lbs (578 kg) AFS350-2568 lbs (1167 kg) Does not include fasteners

APPROVALS DATE
DRAWN MGC 7/25/20
CHECKED
RESP ENG
MFG ENG
QUAL ENG

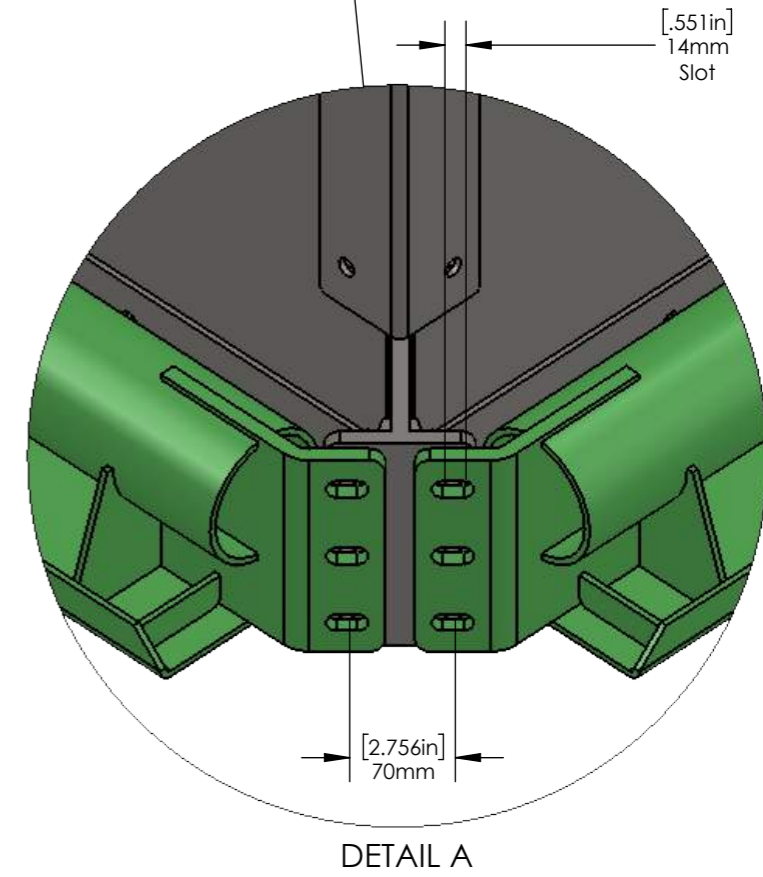
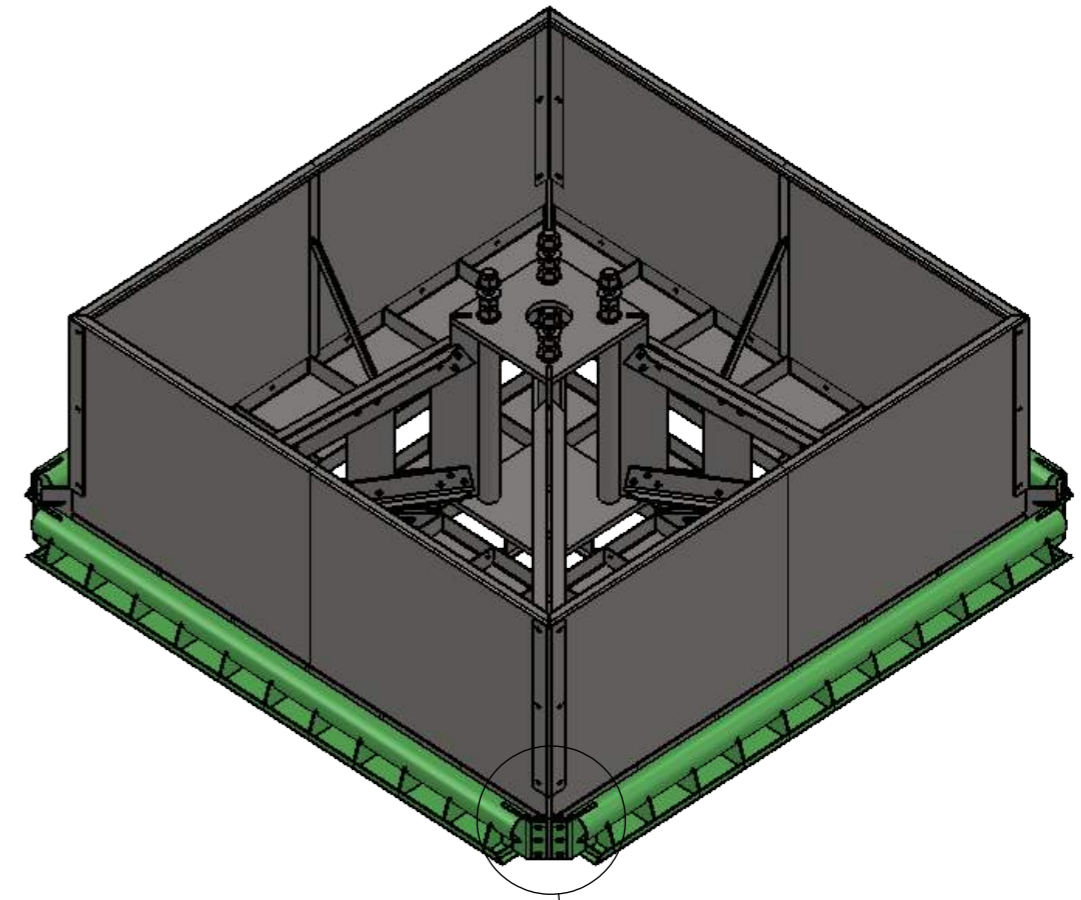
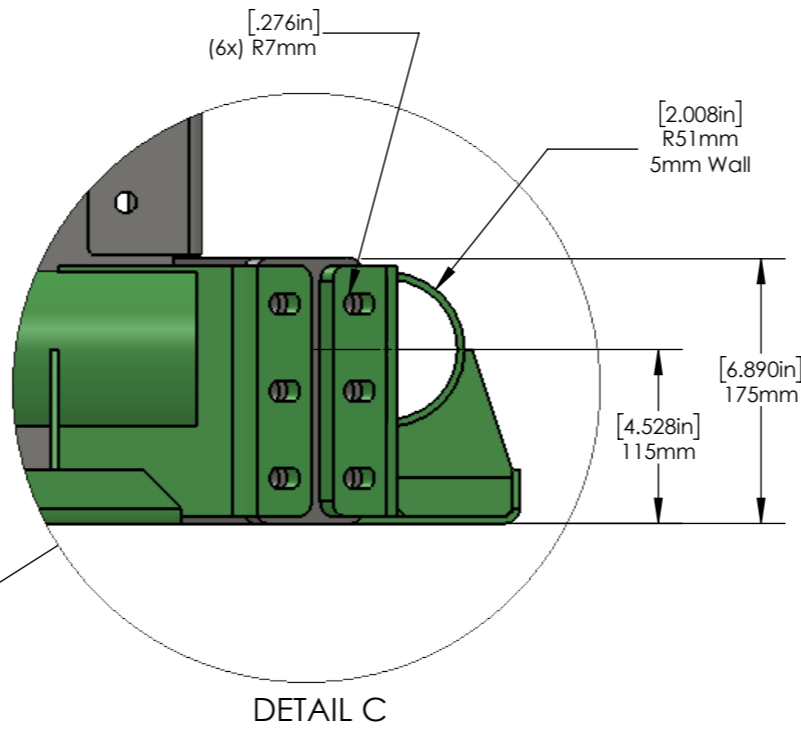
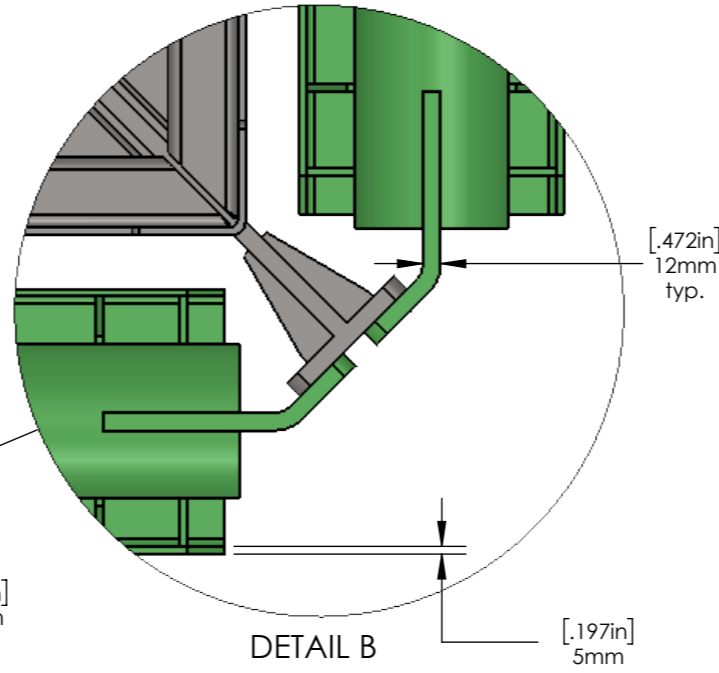
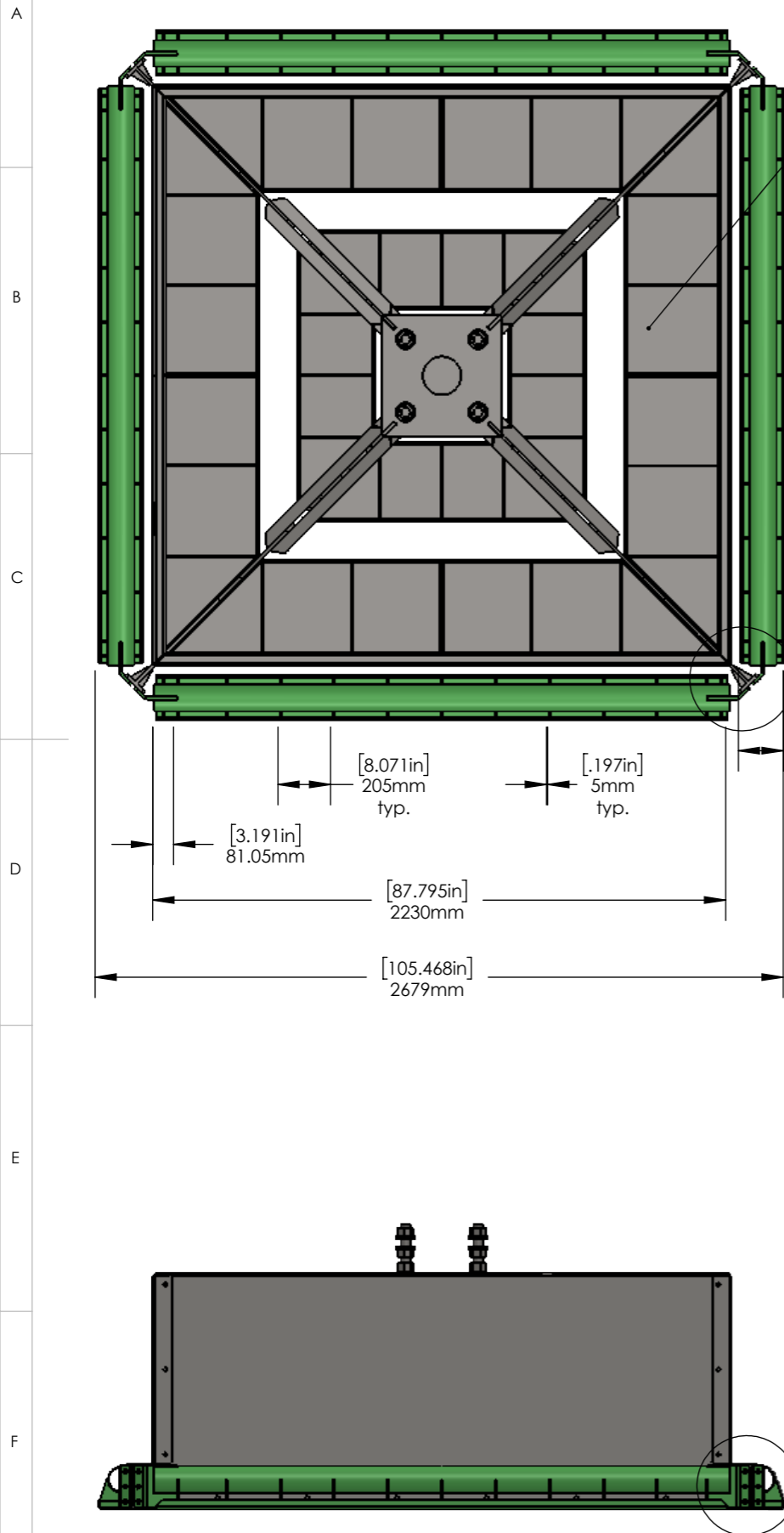
17.25m 3SF AFS350

CAD file: AFS350 17_25m 3SF revA5
Details and dimensions not shown on this drawing can be found in CAD file.

DO NOT SCALE DRAWING scale NA rev. A5 size NA sheet 1 of 3

Proprietary rights are included in the information disclosed herein. This information is submitted in confidence and neither the document nor the information disclosed herein shall be reproduced or transferred to other documents for manufacturing or for any other purpose except as specifically authorized in writing by ARE Telecom & Wind.

- Ballast/ Backfill Material Bulk Density
- 16kN/ m3 (2700 lb/ yd3)
 - Ballast Volume - 4.7 m3 (6.1 yd3)



Proprietary rights are included in the information disclosed herein. This information is submitted in confidence and neither the document nor the information disclosed herein shall be reproduced or transferred to other documents for manufacturing or for any other purpose except as specifically authorized in writing by ARE Telecom & Wind.

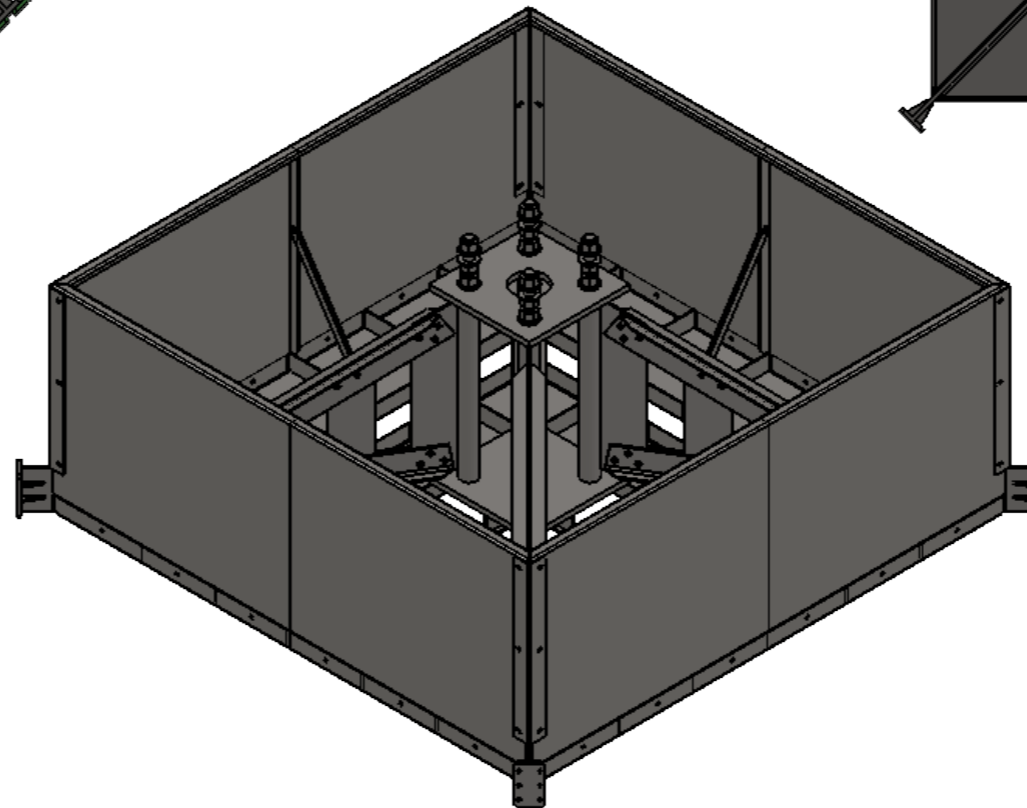
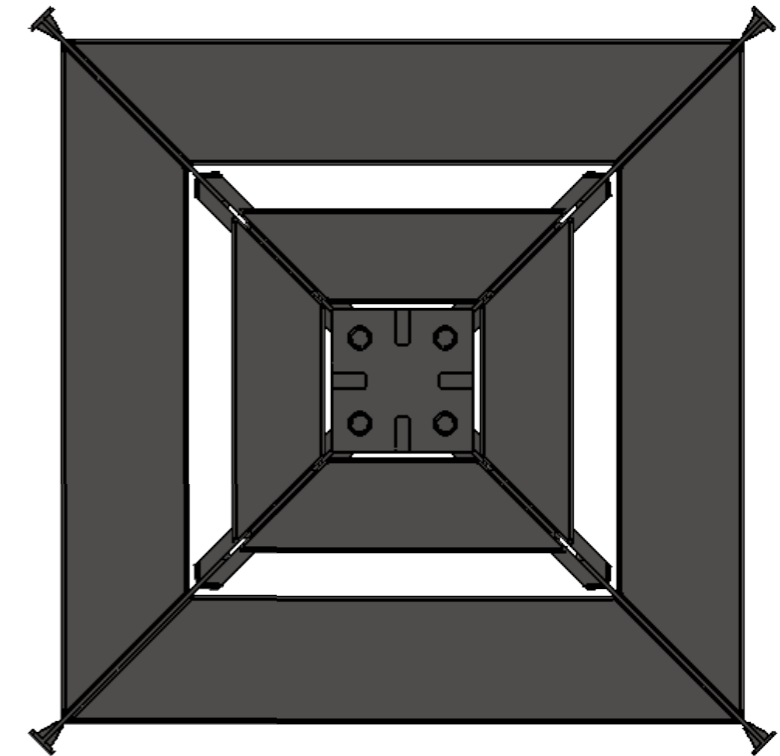
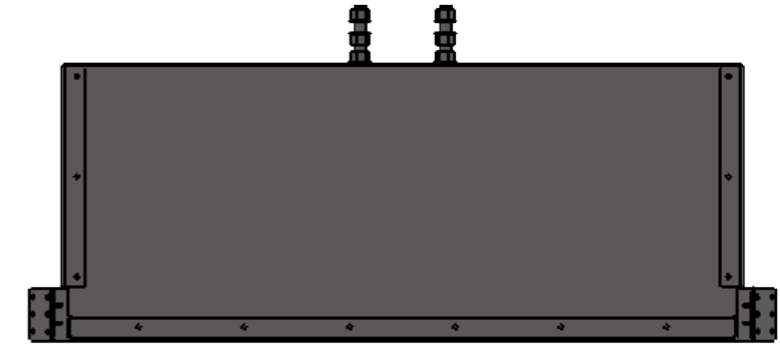
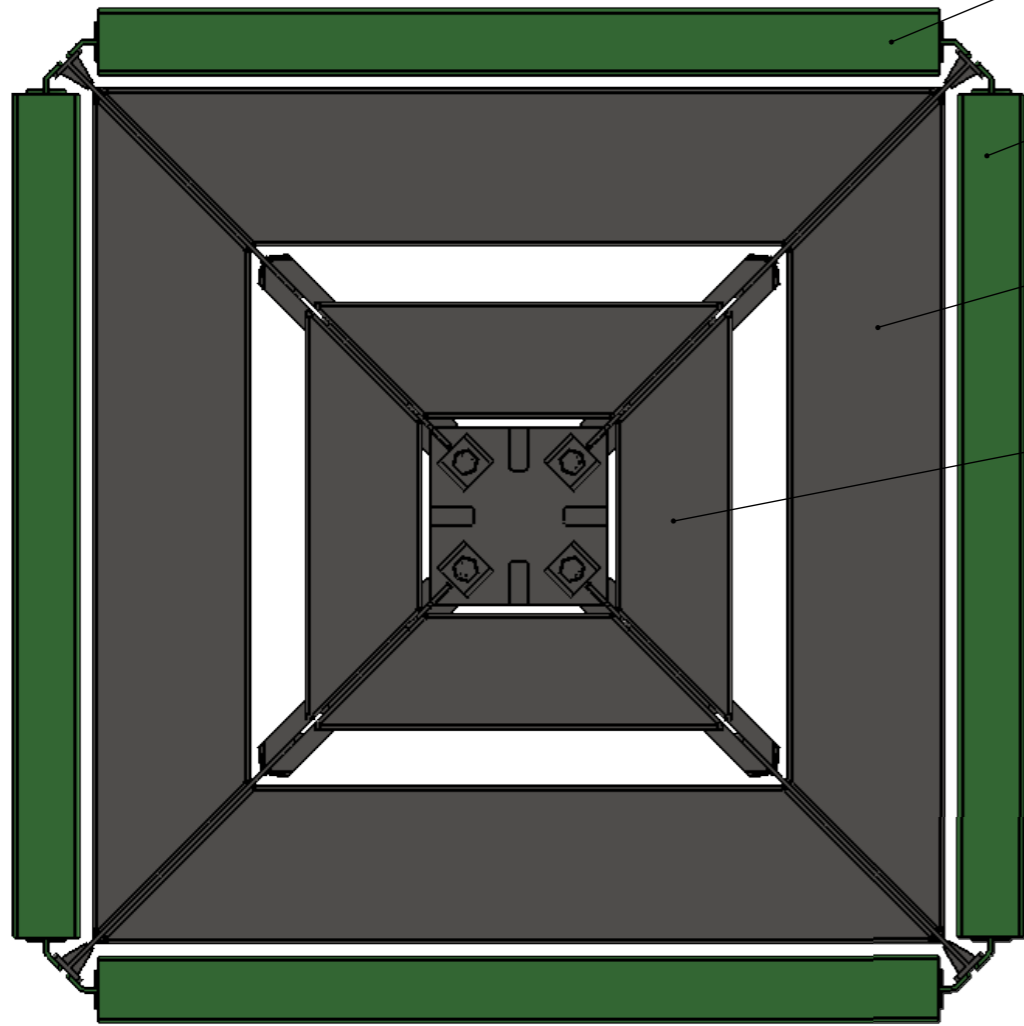
Outer Tray Weight
 • 58 kg (128 lb)
 Total Weight
 • 232 kg (510.5 lb)

0.346 m²
 3.72 ft²

0.710 m²
 7.639 ft²

0.221m²
 2.38 ft²

Total Surface Area
 • 5.108 m²
 • 54.96 ft²



Fasteners:

Sidewall Bolts: (56X) M12x1.75 x 30mm - GR 8.8

- (1X) Nut (2X)Washer
- Optional (1/2-13 x 1.25in GR A325)
- Hot Dip Galv. per ASTM F2329

Outer Beraing Tray Bolts: (24X) M12x1.75 x 50mm - GR 8.8

- (1X) Nut (2X)Washer
- Optional (1/2-13 x 2in GR A325)
- Hot Dip Galv. per ASTM F2329

Tray & Outrigger Bolts: (96X) M20x2.5 x 55mm - GR 8.8

- (1X) Nut (2X)Washer
- Optional (3/4-10 x 2.25in GR A325)
- Hot Dip Galv. per ASTM F2329

Anchor Bolts: (4X) M36x2.5 x 1000mm - GR 8.8

- (3X) Nut (4X)Washer
- Optional (1 1/2-6 x 39in GR A325)
- Hot Dip Galv. per ASTM F2329