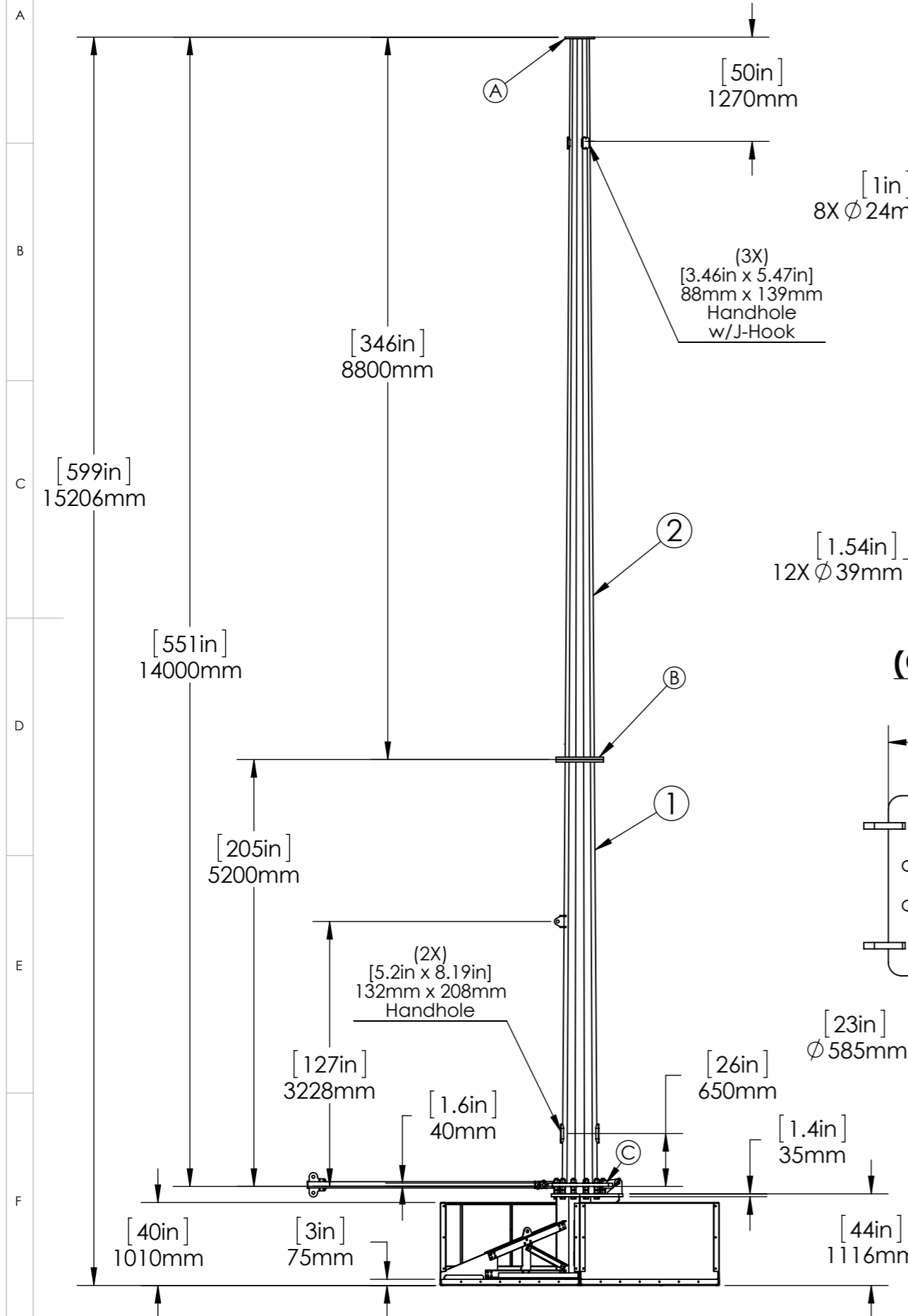
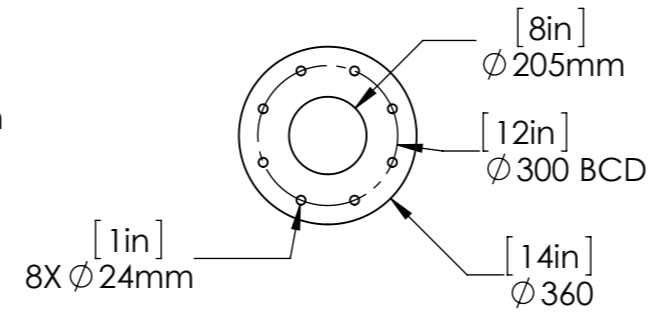


Proprietary rights are included in the information disclosed herein. This information is submitted in confidence and neither the document nor the information disclosed herein shall be reproduced or transferred to other documents for manufacturing or for any other purpose except as specifically authorized in writing by ARE Telecom & Wind.

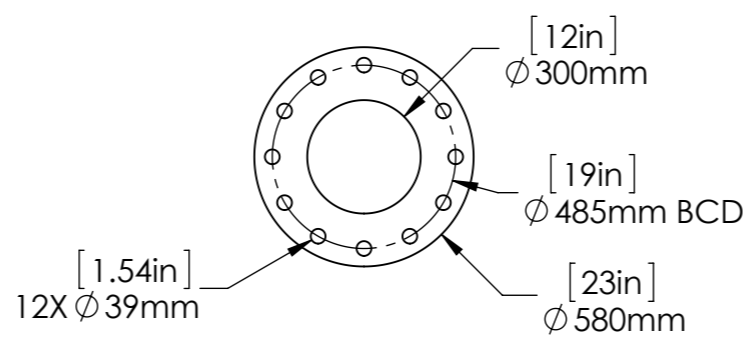
REVISIONS			
REV.	DESCRIPTION	DATE	APPROVED
A	initial release	8/2/15	MGC
A-1	Flange Pole w/ sidewalls	4/7/16	MGC



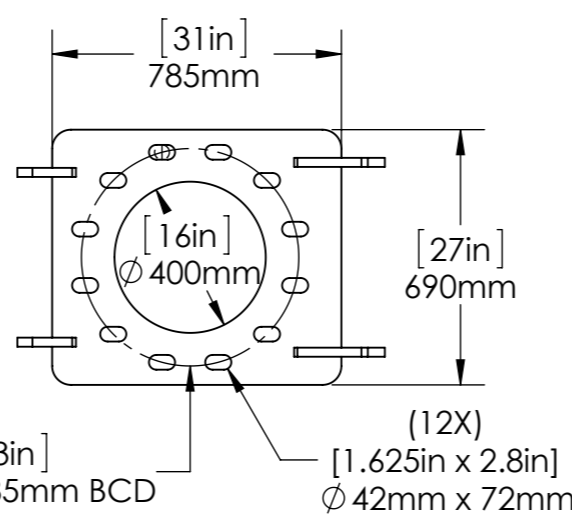
(A) Top Flange



(B) Mid-Flange



(C) Baseplate



1. Load Data

	50 yr Extreme Load	Fatigue (10x10 ⁶ Cycles)
Fx (lbf) / (kN)		
Fy (lbf) / (kN)		
Fz (lbf) / (kN)		
My (lb-ft) / (kN-m)		
Mx (lb-ft) / (kN-m)		
Mz (lb-ft) / (kN-m)		
Top Weight (lb) / (kg)		

2. Survival Wind Speed: 101 MPH (45 m/s) (3 sec gust)

- Structure Class - II
- Topographic - 5 (Crest Height - 305 ft)
- Exposure - C

3. Design and Welding Codes:

- TIA-222-G (DS1)
- AWS D1.1

4. Material

- Pole: ASTM A572 GR65
- Baseplate: ASTM A572 GR50
- Top/ Hinge Flange: ASTM A572 GR50

5. Deflection: <3% at 60 MPH (26.8 m/s)

6. Pole has 12 sides

7. Finish: Hot dip Galvanizing per ASTM A123

8. Flange Bolts: (12X) 1.375-6 x 6in - A325

- Optional (M36 x 150mm GR 8.8)
- Galv. per ASTM F2329

9. Anchor Bolts: (12X) 1.375-6 x 9in - ASTM F1554 GR55

- Optional (M36 x 225mm GR 8.8)
- Galv. per ASTM F2329

10. Pole Section Details

Pole Section	#1	#2
Thickness - (in) / (mm)	0.315 / 5	0.196 / 6
Length - (in) / (m)	202 / 5.13	344.5 / 8.75
Top Dia. - (in) / (mm)	13.82 / 351	9.17 / 233
Bottom Dia. - (in) / (mm)	16.73 / 425	13.78 / 350
Min Slip - (in) / (mm)	NA	NA
Max (design) Slip - (in) / (mm)	NA	NA

11. Charpy V-Impact Requirements

Material	Charpy-V Notch Test	
	Min Impact Energy (J)	Test Temperature (°C)
ASTM A572 GR65	34	-30
ASTM A572 GR50	21	-29

CAD-generated drawing do not manually update

ARE Telecom & Wind
1043 Grand Avenue, # 213
St. Paul, MN 55105 (651) 330-1263

Total Weight
7887 lb / (3585 kg)
Does not include fasteners

MATERIAL See Notes
FINISH See Notes
DO NOT SCALE DRAWING

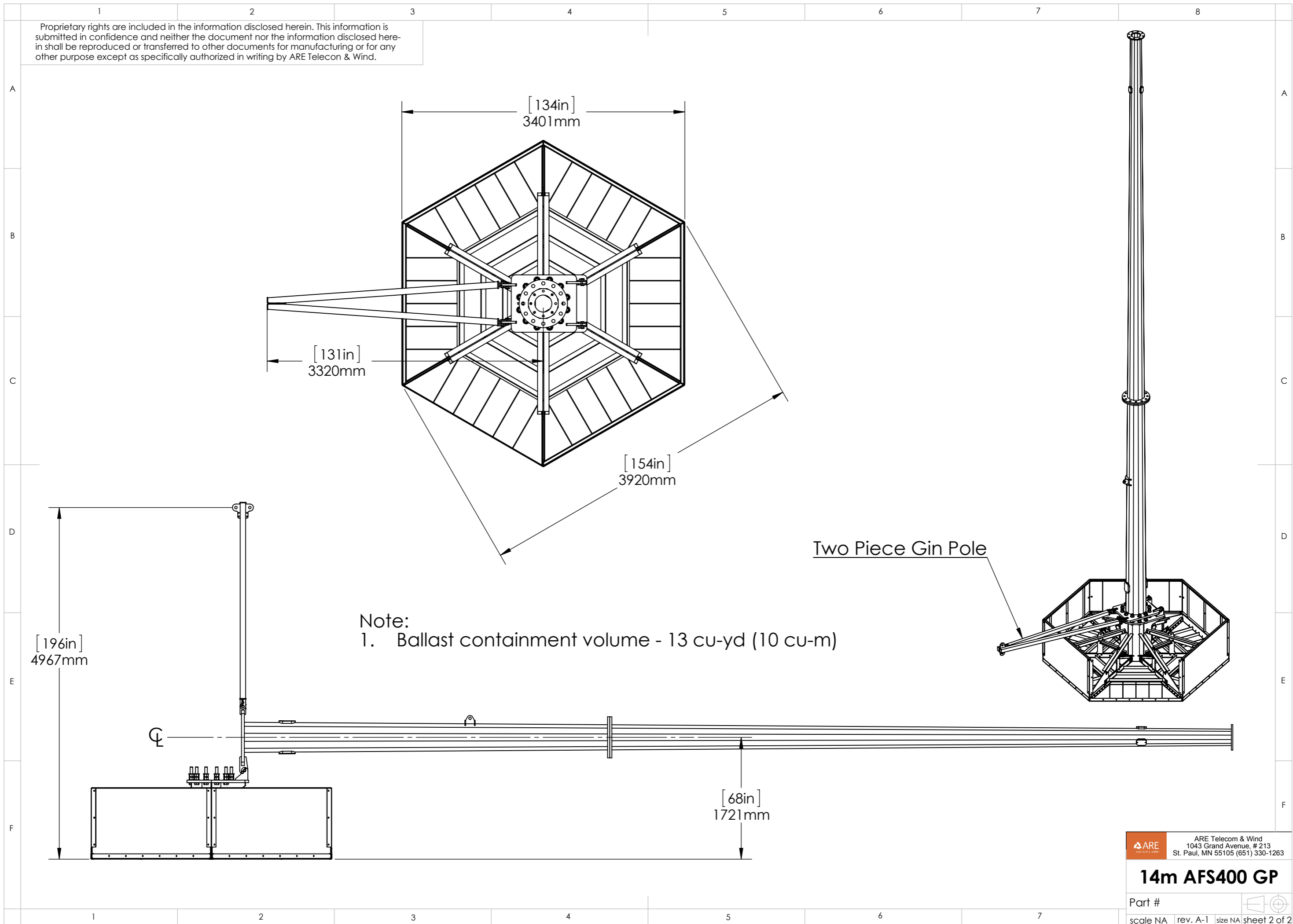
APPROVALS	DATE
DRAWN MGC	4/7/16
CHECKED	
RESP ENG	
MFG ENG	
QUAL ENG	

14m AFS400 GP

CAD file: 6A AFS FP revA_1
Details and dimensions not shown on this drawing can be found in CAD file.

scale NA rev. A-1 size NA sheet 1 of 2

Proprietary rights are included in the information disclosed herein. This information is submitted in confidence and neither the document nor the information disclosed herein shall be reproduced or transferred to other documents for manufacturing or for any other purpose except as specifically authorized in writing by ARE Telecom & Wind.



Note:
1. Ballast containment volume - 13 cu-yd (10 cu-m)

Two Piece Gin Pole

 ARE Telecom & Wind 1043 Grand Avenue, # 213 St. Paul, MN 55105 (651) 330-1263	
<h3>14m AFS400 GP</h3>	
Part #	
scale NA	rev. A-1 size NA sheet 2 of 2