

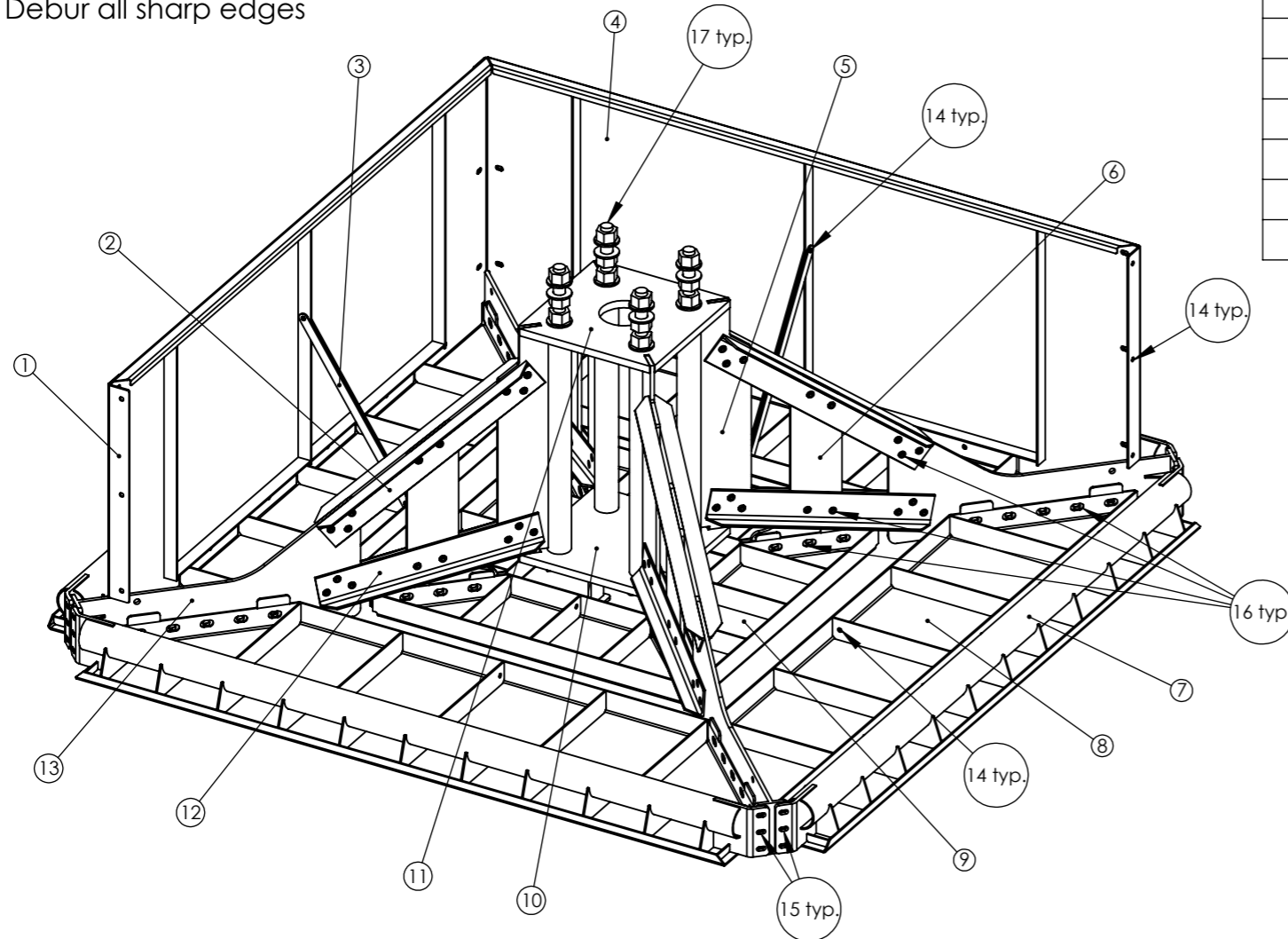
Proprietary rights are included in the information disclosed herein. This information is submitted in confidence and neither the document nor the information disclosed herein shall be reproduced or transferred to other documents for manufacturing or for any other purpose except as specifically authorized in writing by ARE Telecom & Wind.

REVISIONS			
REV.	DESCRIPTION	DATE	APPROVED
A	initial release	11/8/20	MGC
B			

**Notes:**

- All plate material shall have a minimum yield strength of 345 MPa (50 ksi)
- Tube shall be GR. Q345 (ASTM A500 Gr B)
- All right angles shall be Q345 (ASTM A572 Gr 50) or equivalent
- All welding shall conform to the minimum requirements of AWS D1.1
- All welding shall be done by welders qualified under AWS specifications, using E80XX, low hydrogen electrodes
- All components shall Hot Dip Galvanized in accordance with ASTM A123
- Debur all sharp edges

AFS350 Bill of Materials			
#	DESCRIPTION	QTY.	Weight (kg/ lbs)
1	Corner Bracket	4	2.5/ 5.5
2	Upper Chord	8	5.4/ 11.9
3	Brace	8	0.78/ 1.72
4	Sidewall	4	50.5/ 111.1
5	Anchor Spoke	4	27.3/ 60.1
6	Center Web	4	10.8/ 23.8
7	Outer Bearing Plate	4	58/ 127.6
8	Outer Ballast Tray	4	47/ 103.4
9	Inner Ballast Tray	4	18.3/ 40.3
10	Lower Splice Plate	1	47.11/ 103.6
11	Upper Splice Plate	1	37.7/ 83
12	Lower Chord	8	4.7/ 10.34
13	Truss Heel Plate	4	20.6/ 45.32



**Ballast Requirements:**

- Ballast Volume = 4.7 cu-m (6.1 cu-yds, 165 cu-ft)
- Unit Weight
  - cu-ft = 45.45 kg (100 lbs)
  - cu-yd = 1227.3 kg (2700 lbs)
  - cu-m = 1605.5 kg (3532 lbs)
- The foundation design is based upon an ultimate bearing pressure of 4000 pounds per square ft (PSF)

**AFS350 Bolts, Nuts & Washers (other equivalent grades acceptable)**

#	Unit	Bolt Size	Length	Width Across Flats	Thread Length	Grade	Coating	Nut Qty.	Washer Qty.	Bolt Qty.
14	Metric	M12x1.75	30mm	18mm	Full Thread	8.8	Hot Dip Galv.	56	112	56
14	Imperial	1/2-13	1 3/16"	7/8"	Full Thread	A325	Hot Dip Galv.	56	112	56
15	Metric	M12x1.75	60mm	18mm	Full Thread	8.8	Hot Dip Galv.	24	48	24
15	Imperial	1/2-13	2 3/8"	7/8"	Full Thread	A325	Hot Dip Galv.	24	48	24
16	Metric	M20x2.5	55mm	30mm	Full Thread	8.8	Hot Dip Galv.	72	144	72
16	Imperial	3/4-10	2 3/16"	1 1/8"	Full Thread	A325	Hot Dip Galv.	72	144	72
17	Metric	M36x2.5	1000mm	55mm	300mm	8.8	Hot Dip Galv.	12	16	4
17	Imperial	1 1/2-6	39"	2 3/16"	12"	A325	Hot Dip Galv.	12	16	4

CAD-generated drawing do not manually update		ARE ARE Telecom & Wind 413 Wacouta St. Suite #440 St Paul, MN 55101 (651) 330 1263	
Does not include anchor bolts, templates or flange bolts	APPROVALS	DATE	<b>AFS350 BOM</b> Details and dimensions not shown on this drawing can be found in CAD file scale NA rev. A size NA 2 of 3
	DRAWN MGC	11/8/20	
	CHECKED		
	RESP ENG		
MATERIAL See Notes	MFG ENG		
FINISH See Notes	QUAL ENG		
DO NOT SCALE DRAWING			